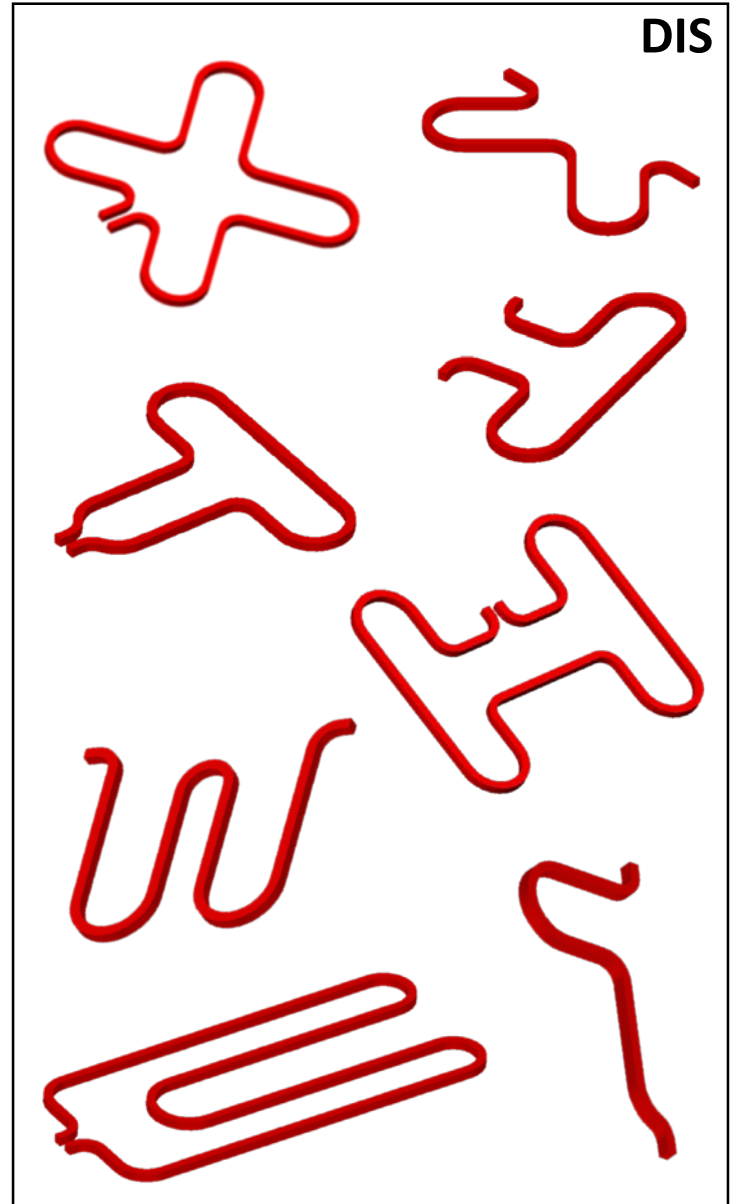
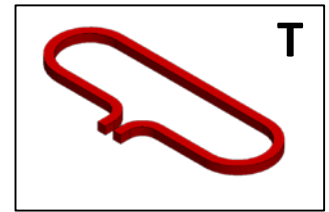
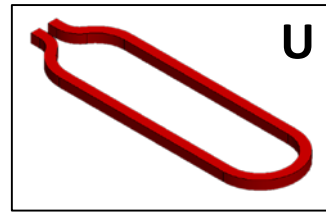
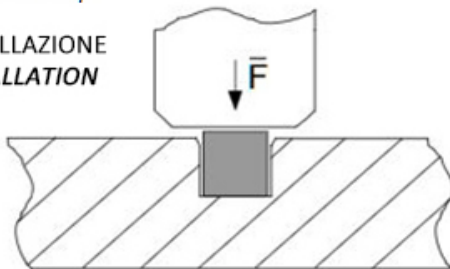


Codice	Sez. ■	L	V	W
REQ50603500550 *	6x6	350	230	550
REQ50604000650 *	6x6	400	230	650
REQ50604500750 *	6x6	450	230	750
REQ50605000800 *	6x6	500	230	800
REQ50605500900 *	6x6	550	230	900
REQ50606001000 *	6x6	600	230	1000
REQ50606501100 *	6x6	650	230	1100
REQ50607001200 *	6x6	700	230	1200
REQ50607501300 *	6x6	750	230	1300
REQ50608001350 *	6x6	800	230	1350
REQ50608501450 *	6x6	850	230	1450
REQ50609001550 *	6x6	900	230	1550
REQ50609501650 *	6x6	950	230	1650
REQ50610001750 *	6x6	1000	230	1750
REQ50610501850 *	6x6	1050	230	1850
REQ50611001950 *	6x6	1100	230	1950
REQ50611502050 *	6x6	1150	230	2050
REQ50612002100 *	6x6	1200	230	2100
REQ50612502200 *	6x6	1250	230	2200
REQ50613002300 *	6x6	1300	230	2300
REQ50613502400 *	6x6	1350	230	2400
REQ50614002500 *	6x6	1400	230	2500
REQ50614502600 *	6x6	1450	230	2600
REQ50615002700 *	6x6	1500	230	2700
REQ50615502800 *	6x6	1550	230	2800

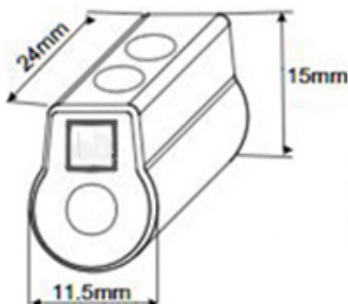


U Piegata a "U" per piastre lineari tipo LDL
 * = **T** Piegata a "T" per piastre lineari tipo LDR
DIS Piegata a DISEGNO

INSTALLAZIONE
INSTALLATION



UGCCMS
MORSETTO IN CERAMICA
CERAMIC TERMINAL



Riscaldatore

Morsetto in
ceramica

Cavo per alte
temperature



Heater

Ceramic
terminal

High
temperature
cable

STANDARD